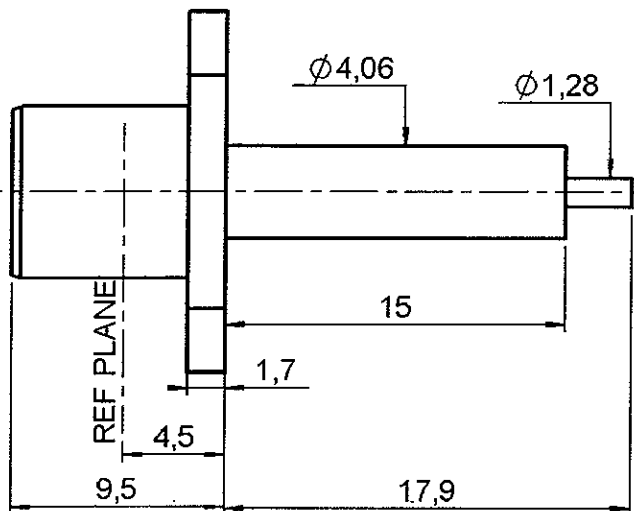
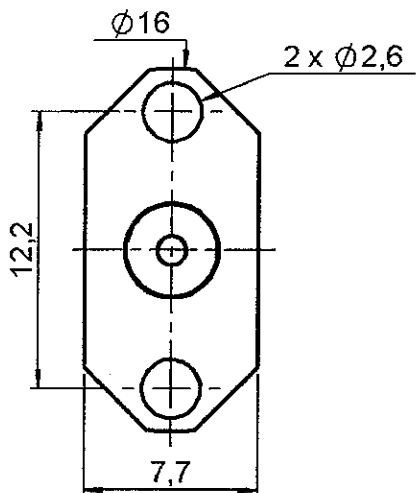


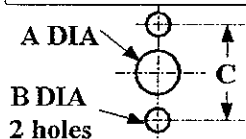
**2 HOLES FLANGE JACK RECEPTACLE
WITH CYLINDRICAL CONTACT**

R128.464.231

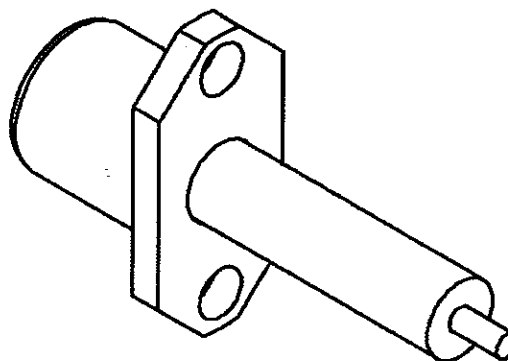
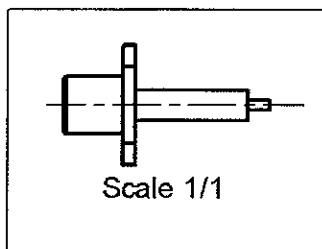
Series : **BMA**



PANEL CUT OUT



| | mm | |
|---|------|------|
| | Maxi | mini |
| A | 4.14 | 4.1 |
| B | 2.8 | 2.6 |
| C | 12.3 | 12.2 |



All dimensions are in mm.

| COMPONENTS | MATERIALS | PLATING |
|----------------|------------------|--------------------------------------|
| BODY | STAINLESS STEEL | PASSIVATED . μm |
| CENTRE CONTACT | BERYLLIUM COPPER | GOLD 1.3 OVER NICKEL 2 μm |
| OUTER CONTACT | BERYLLIUM COPPER | GOLD 1.3 OVER NICKEL 2 μm |
| INSULATOR | PTFE | |
| GASKET | - | |
| OTHERS PARTS | STAINLESS STEEL | PASSIVATED . μm |
| - | - | - |
| - | - | - |



**2 HOLES FLANGE JACK RECEPTACLE
WITH CYLINDRICAL CONTACT**

R128.464.231

Series : **BMA**

ELECTRICAL CHARACTERISTICS

| | | |
|---------------------------------|----------------|-----------------------------|
| Impedance | | 50 Ω |
| Frequency | | 0-22 GHz |
| VSWR | 1.25* + | 0.000 x F(GHz) Maxi |
| Insertion loss | | 0.07 √F(GHz) dB Maxi |
| RF leakage | - (| NA - F(GHz)) dB mini |
| Voltage rating | | 500 Veff Maxi |
| Dielectric withstanding voltage | | 1500 Veff mini |
| Insulation resistance | | 5000 MΩ mini |

SPECIFICATION

ENVIRONMENTAL

| | |
|----------------------------|---------------------|
| Operating temperature | -65/+125 ° C |
| Hermetic seal | NA Atm.cm3/s |
| Leakage – pressurised only | NA Mpa |

OTHERS CHARACTERISTICS

Assembly instruction **NA**

Others :
* de 0 -10 Ghz

MECHANICAL CHARACTERISTICS

| | | |
|----------------------------|--|-------------------------|
| Centre contact retention | | |
| Axial force – Mating end | | 27 N mini |
| Axial force – Opposite end | | 27 N mini |
| Torque | | NA N.cm mini |
| Recommended torque | | |
| Mating | | NA N.cm |
| Panel nut | | NA N.cm |
| Mating life | | 1000 Cycles mini |
| Weight | | 0.000 g |

